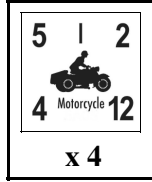


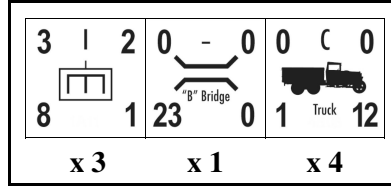
Russian 20th Mechanized Corps

June 22, 1941

24th
Motorcycle
Regiment

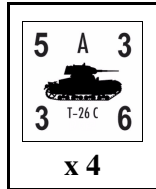


83rd
Engineer
Battalion

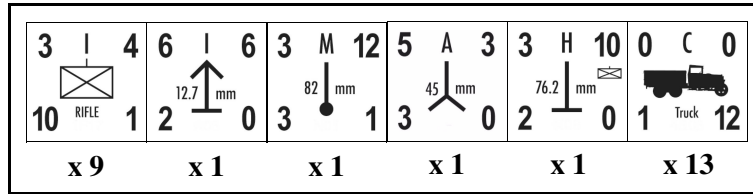


26th
Tank
Division

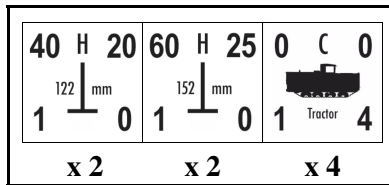
51st & 52nd
Tank
Regiments



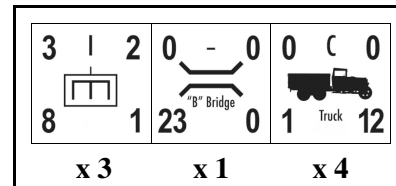
26th
Motorized
Infantry
Regiment



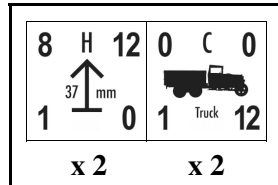
26th
Howitzer
Regiment



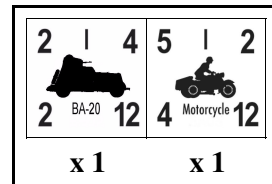
26th
Engineer
Battalion



26th Anti-
Aircraft
Battalion



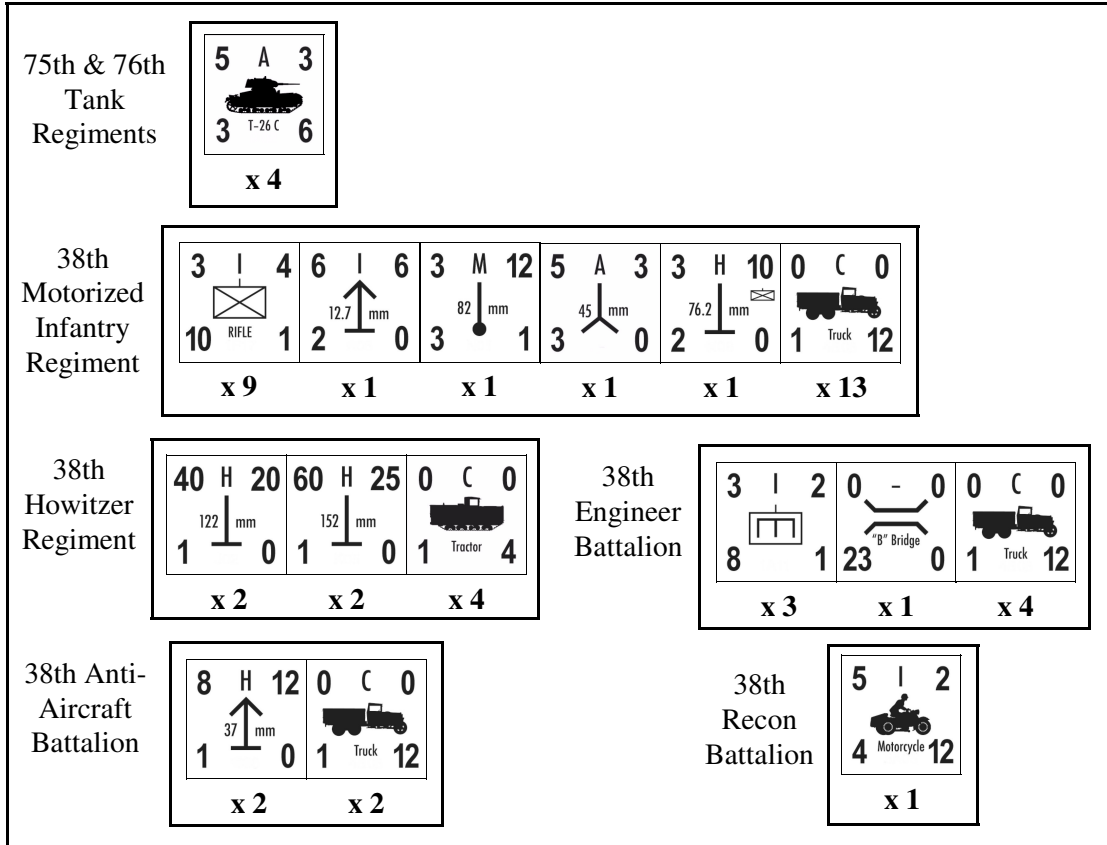
26th
Recon
Battalion



Russian 20th Mechanized Corps

June 22, 1941

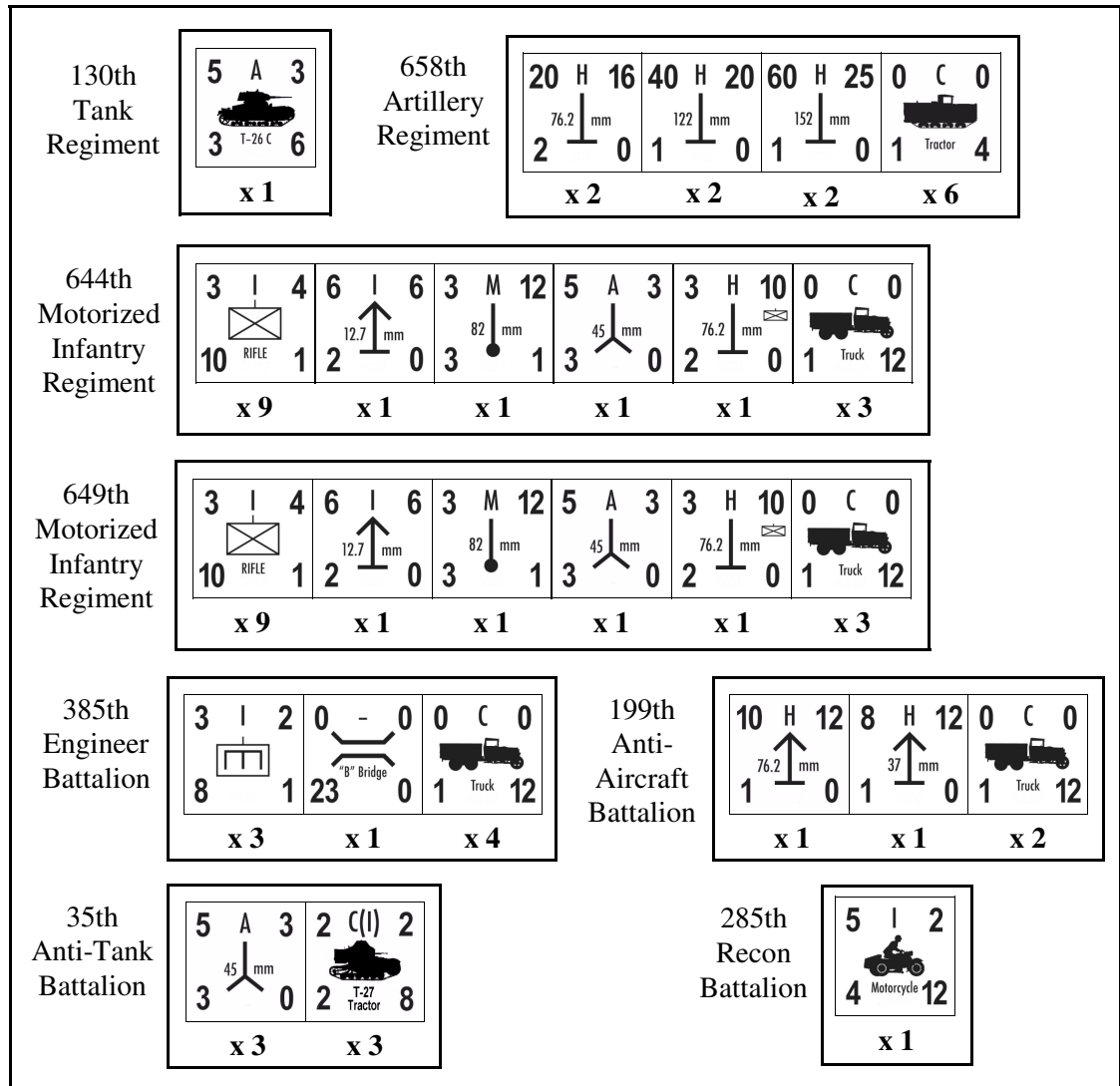
38th
Tank
Division



Russian 20th Mechanized Corps

June 22, 1941

210th
Motorized
Infantry
Division



On June 22, 1941, the 20th Mech Corps was stationed in the interior near Minsk. On July 2, the corps was committed to action and saw heavy action until the end of the month, when the remnants were officially disbanded and used to build other units.