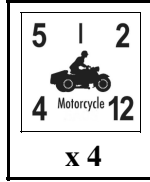


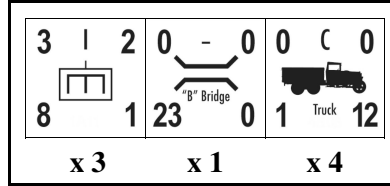
# Russian 19th Mechanized Corps

June 22, 1941

25th  
Motorcycle  
Regiment

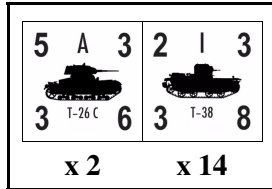


86th  
Engineer  
Battalion

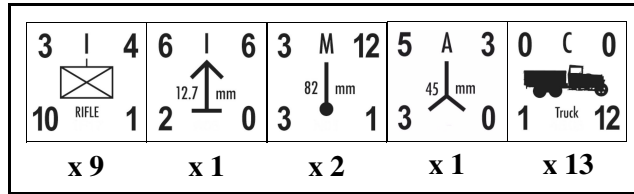


40th  
Tank  
Division

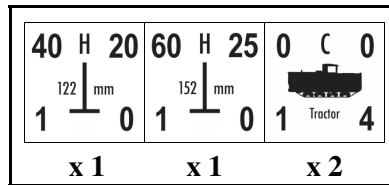
79th & 80th  
Tank  
Regiments



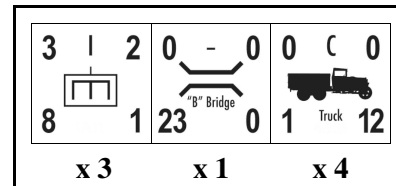
40th  
Motorized  
Infantry  
Regiment



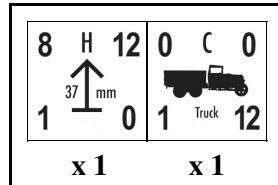
40th  
Howitzer  
Regiment



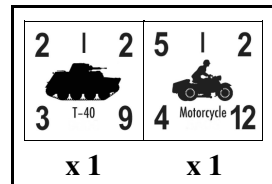
40th  
Engineer  
Battalion



40th Anti-  
Aircraft  
Battalion













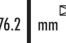





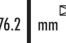





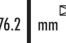








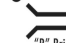


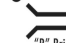





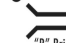













40th  
Recon  
Battalion



# Russian 19th Mechanized Corps

June 22, 1941

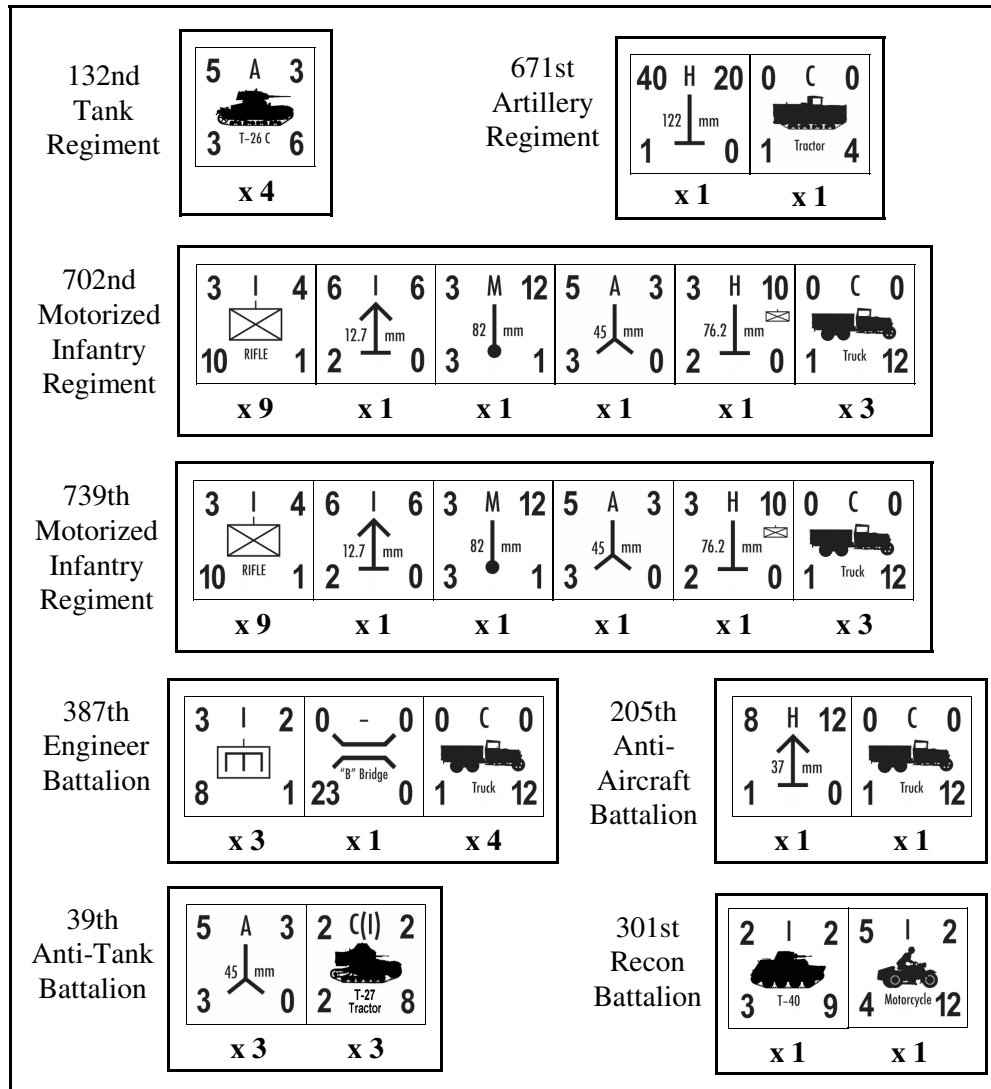
43rd  
Tank  
Division

75th & 76th Tank Regiments	<table border="1"> <tr> <td>8 A 5</td> <td>5 A 3</td> </tr> <tr> <td></td> <td></td> </tr> <tr> <td>10 7</td> <td>3 6</td> </tr> <tr> <td>x 1</td> <td>x 23</td> </tr> </table>	8 A 5	5 A 3			10 7	3 6	x 1	x 23																		
8 A 5	5 A 3																										
																											
10 7	3 6																										
x 1	x 23																										
43rd Motorized Infantry Regiment	<table border="1"> <tr> <td>3 I 4</td> <td>6 I 6</td> <td>3 M 12</td> <td>5 A 3</td> <td>3 H 10</td> <td>0 C 0</td> </tr> <tr> <td></td> <td></td> <td></td> <td></td> <td></td> <td></td> </tr> <tr> <td>10 RIFLE 1</td> <td>2 0</td> <td>3 1</td> <td>3 0</td> <td>2 0</td> <td>1 Truck 12</td> </tr> <tr> <td>x 9</td> <td>x 1</td> <td>x 2</td> <td>x 1</td> <td>x 1</td> <td>x 14</td> </tr> </table>	3 I 4	6 I 6	3 M 12	5 A 3	3 H 10	0 C 0							10 RIFLE 1	2 0	3 1	3 0	2 0	1 Truck 12	x 9	x 1	x 2	x 1	x 1	x 14		
3 I 4	6 I 6	3 M 12	5 A 3	3 H 10	0 C 0																						
																											
10 RIFLE 1	2 0	3 1	3 0	2 0	1 Truck 12																						
x 9	x 1	x 2	x 1	x 1	x 14																						
43rd Howitzer Regiment	<table border="1"> <tr> <td>40 H 20</td> <td>60 H 25</td> <td>0 C 0</td> </tr> <tr> <td></td> <td></td> <td></td> </tr> <tr> <td>1 0</td> <td>1 0</td> <td>1 4</td> </tr> <tr> <td>x 2</td> <td>x 1</td> <td>x 3</td> </tr> </table>	40 H 20	60 H 25	0 C 0				1 0	1 0	1 4	x 2	x 1	x 3	43rd Engineer Battalion	<table border="1"> <tr> <td>3 I 2</td> <td>0 - 0</td> <td>0 C 0</td> </tr> <tr> <td></td> <td></td> <td></td> </tr> <tr> <td>8 1</td> <td>23 0</td> <td>1 Truck 12</td> </tr> <tr> <td>x 3</td> <td>x 1</td> <td>x 4</td> </tr> </table>	3 I 2	0 - 0	0 C 0				8 1	23 0	1 Truck 12	x 3	x 1	x 4
40 H 20	60 H 25	0 C 0																									
																											
1 0	1 0	1 4																									
x 2	x 1	x 3																									
3 I 2	0 - 0	0 C 0																									
																											
8 1	23 0	1 Truck 12																									
x 3	x 1	x 4																									
43rd Anti- Aircraft Battalion	<table border="1"> <tr> <td>8 H 12</td> <td>0 C 0</td> </tr> <tr> <td></td> <td></td> </tr> <tr> <td>1 0</td> <td>1 Truck 12</td> </tr> <tr> <td>x 1</td> <td>x 1</td> </tr> </table>	8 H 12	0 C 0			1 0	1 Truck 12	x 1	x 1	43rd Recon Battalion	<table border="1"> <tr> <td>2 I 2</td> <td>5 I 2</td> </tr> <tr> <td></td> <td></td> </tr> <tr> <td>3 T-40 9</td> <td>4 Motorcycle 12</td> </tr> <tr> <td>x 1</td> <td>x 1</td> </tr> </table>	2 I 2	5 I 2			3 T-40 9	4 Motorcycle 12	x 1	x 1								
8 H 12	0 C 0																										
																											
1 0	1 Truck 12																										
x 1	x 1																										
2 I 2	5 I 2																										
																											
3 T-40 9	4 Motorcycle 12																										
x 1	x 1																										

# Russian 19th Mechanized Corps

June 22, 1941

213th  
Motorized  
Infantry  
Division



On June 22, 1941, the 19th Mech Corps was stationed in the interior near Kiev. The corps participated in the 5th Army counterattack on June 26 and saw heavy action, being virtually destroyed by July 15.