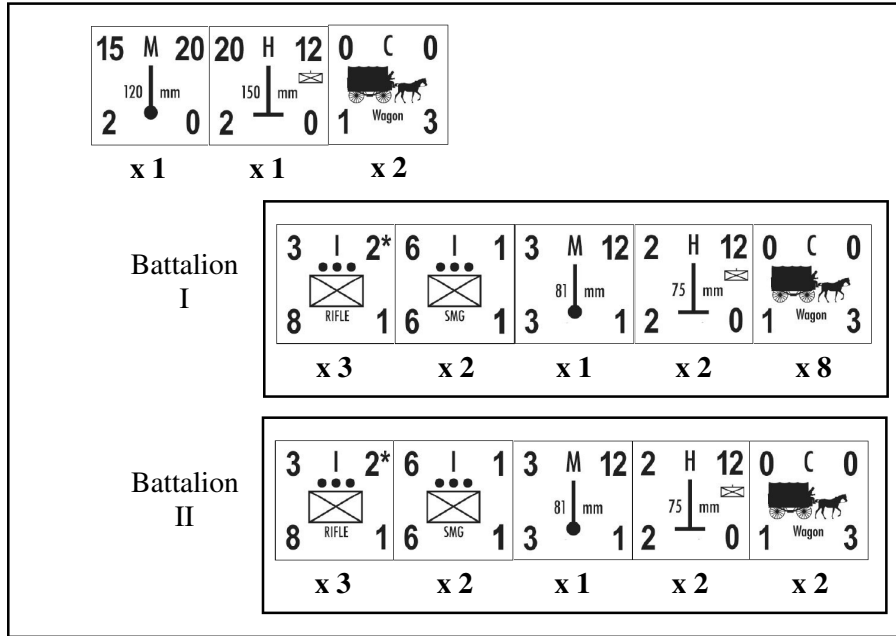


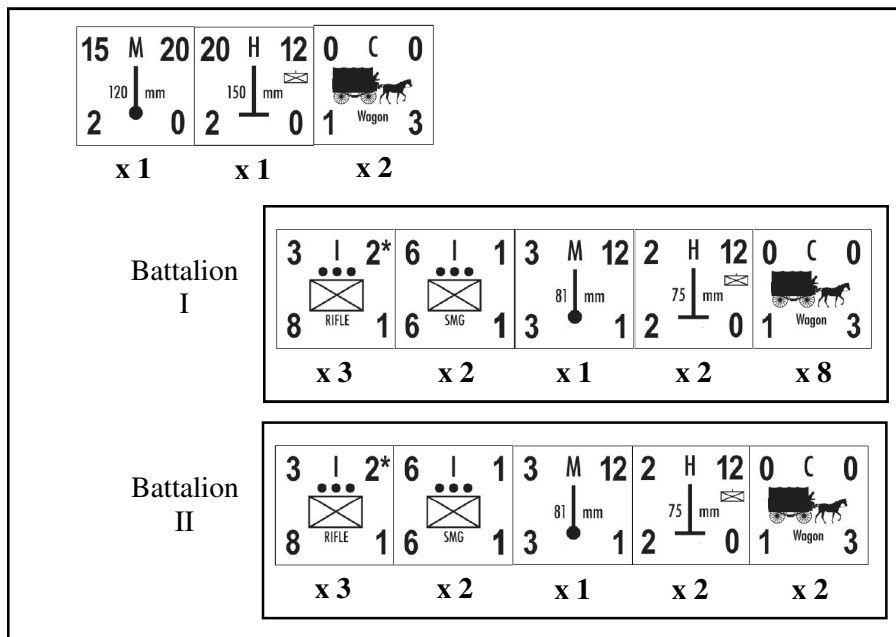
# German 79th Volksgrenadier Div.

December, 1944

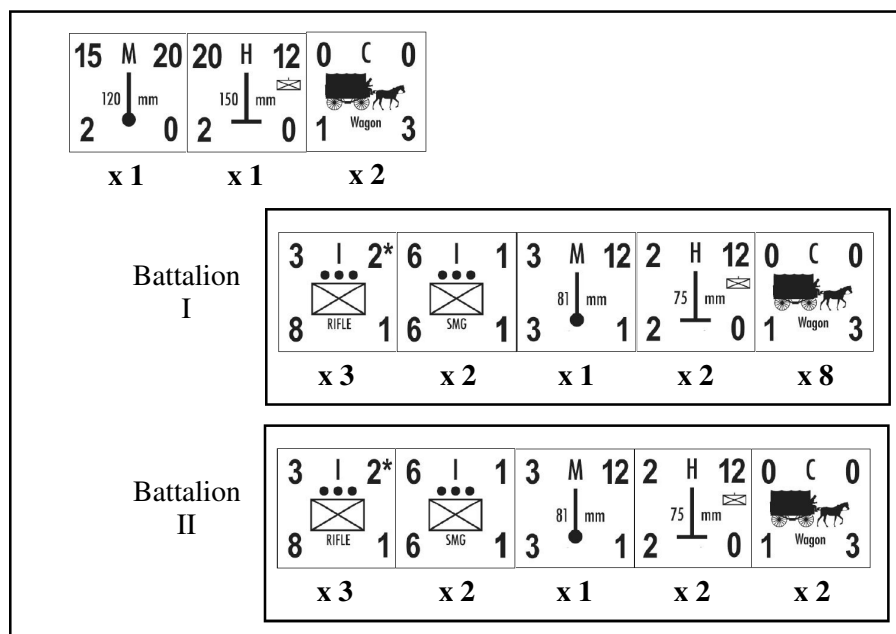
208th Volksgrenadier Regiment



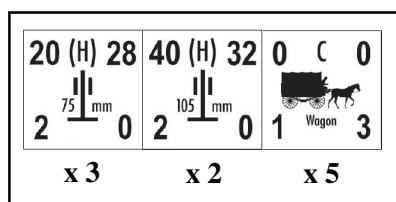
212th Volksgrenadier Regiment



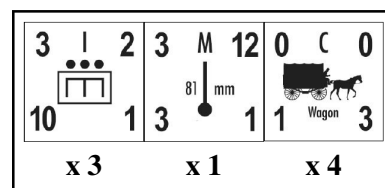
226th  
Volks-  
grenadier  
Regiment



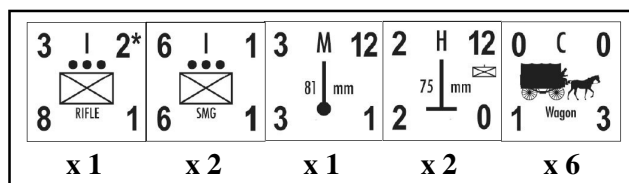
179th  
Volks-  
Artillerie  
Regiment



179th  
Volks-  
Pioneer  
Battalion



179th  
Fusilier  
Battalion



The 79th Volksgrenadier Division joined the offensive as one of the weakest units in the battle. It was at only half strength and most of its personnel had recently been combed from civilian jobs and had no combat experience and little training. It had no anti-aircraft or anti-tank guns. In addition, most of its artillery was caught in a traffic jam and unavailable when the division was sent into battle on Dec 22. Fortunately, on the march forward, they found some artillery abandoned by the 5th Fallschirmjager division, due to vehicle breakdowns. The 79th hitched their horse teams up and took these guns with them. The 79th was thrown into an intense fight against the U.S. 80th Infantry for control of Heiderscheid that involved hand-to-hand fighting. The 79th was finally repelled by U.S. artillery with heavy casualties. The division then repulsed three counterattacks by the 80th Infantry, inflicting many casualties on the Americans. At the end of the campaign, the Americans rated the shopkeepers and clerks of the 79th as some of the toughest German soldiers in the battle.