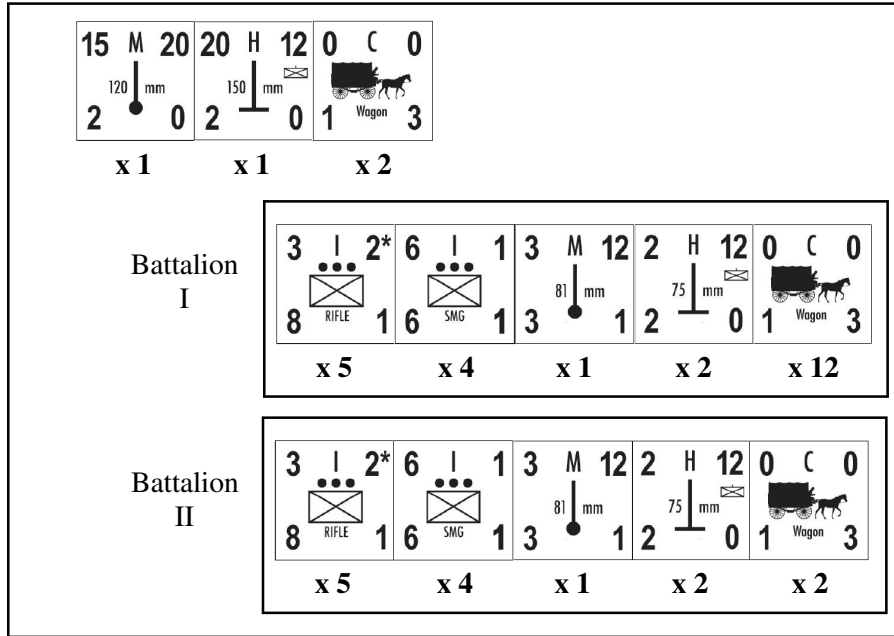




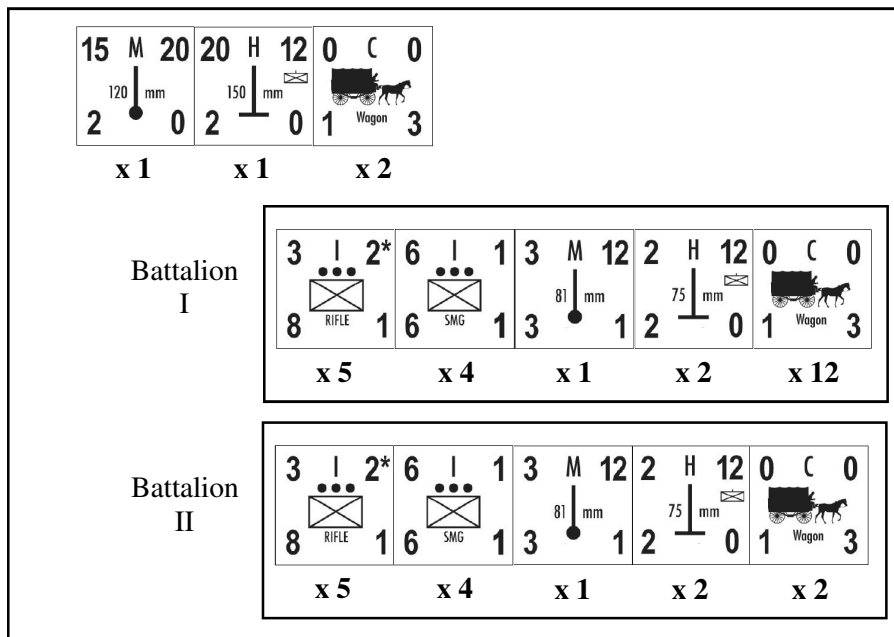
German 62nd Volksgrenadier Div.

December, 1944

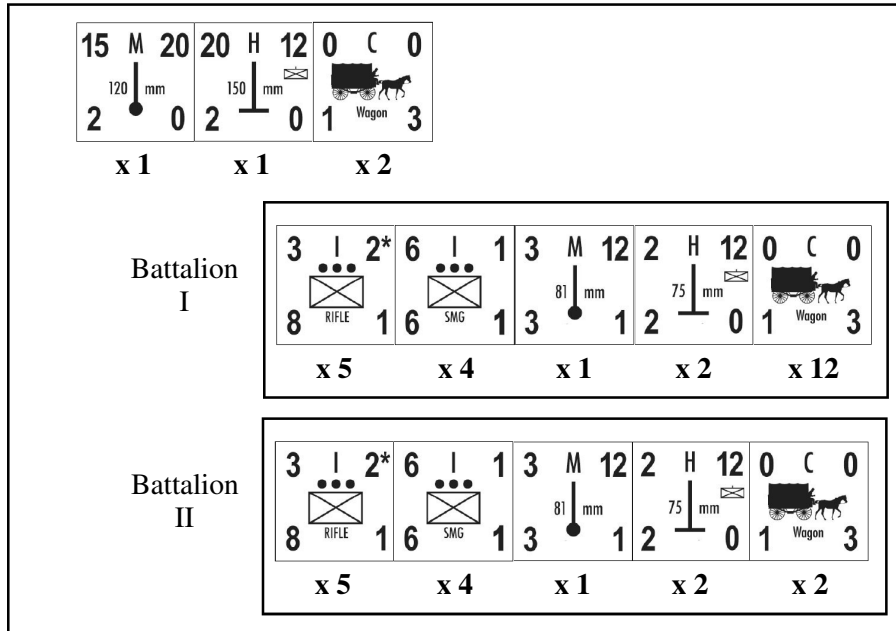
164th Volksgrenadier Regiment



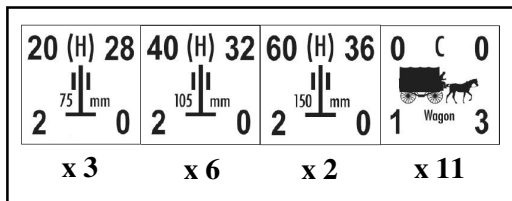
183rd Volksgrenadier Regiment



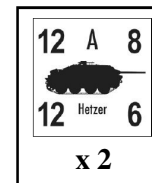
190th
Volks-
grenadier
Regiment



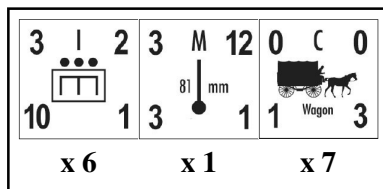
162nd
Volks-
Artillerie
Regiment



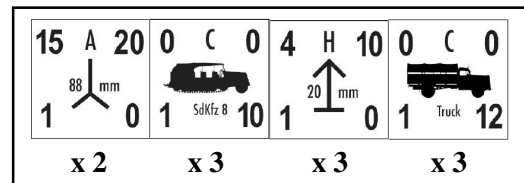
1162nd
Assault
Gun
Company



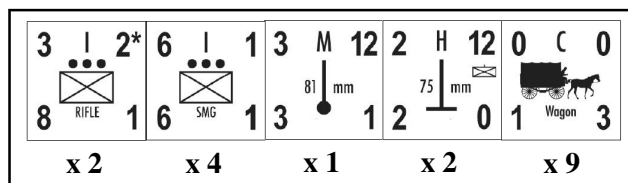
162nd
Volks-
Pioneer
Battalion



162nd
Volks-
Flak
Battalion



162nd
Fusilier
Battalion



The 62nd Volksgrenadier Division began life as the 62nd Infantry Division. It participated in Operation Barbarossa in 1941 and had suffered many casualties on the Eastern Front. The battered division was returned to Germany in September of 1944 for rest and refit after the capture of its commander. It was rebuilt and assigned to the Ardennes Offensive where it helped attack the 106th Infantry on the first day. The 62nd then participated in the assault on St. Vith and spent the next several weeks not far from there before being withdrawn in mid-January.