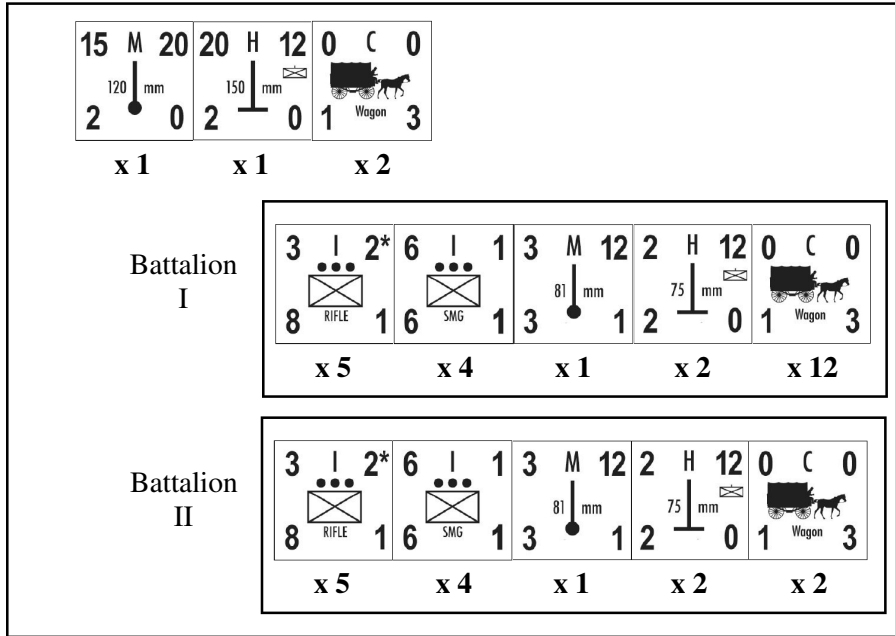




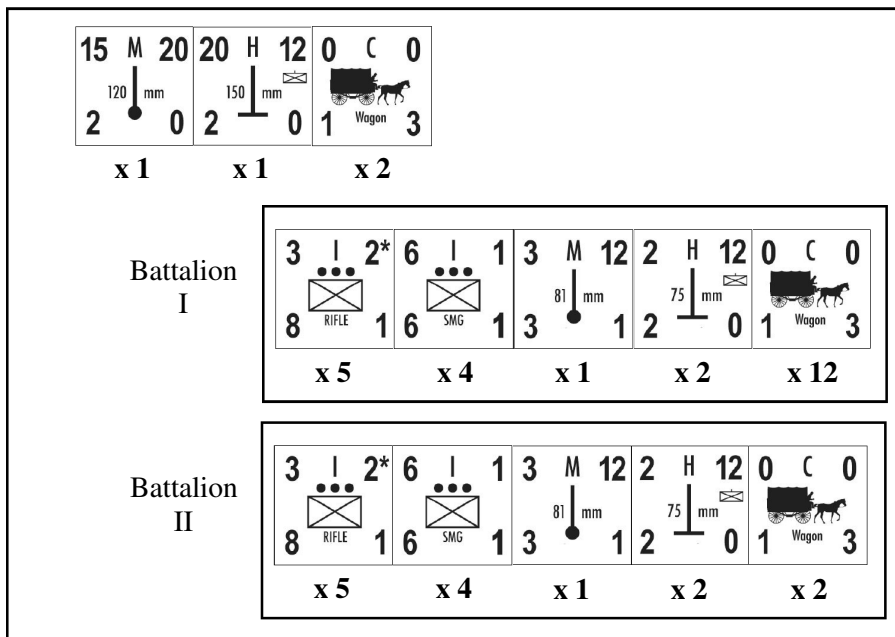
German 277th Volksgrenadier Div.

December, 1944

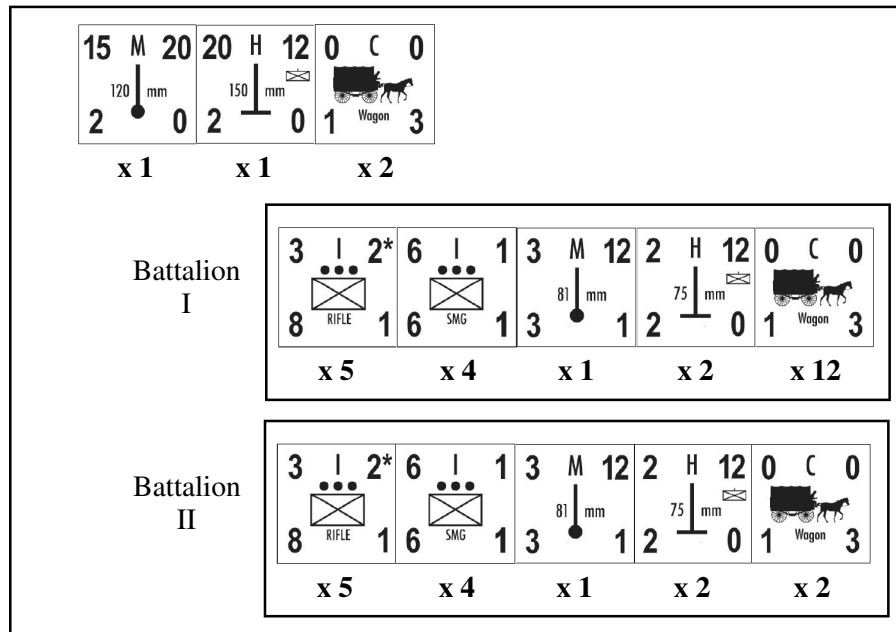
989th Volksgrenadier Regiment



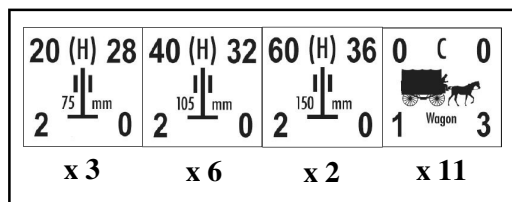
990th Volksgrenadier Regiment



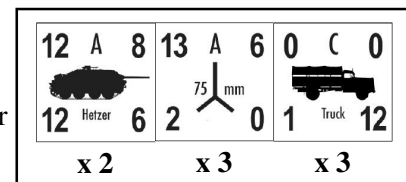
991st
Volks-
grenadier
Regiment



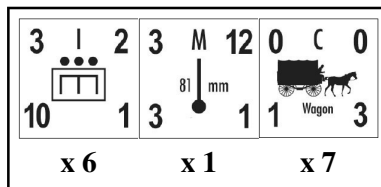
277th
Volks-
Artillerie
Regiment



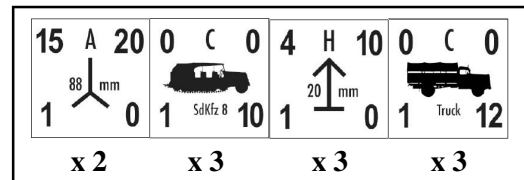
277th
Volks-
PanzerJäger
Battalion



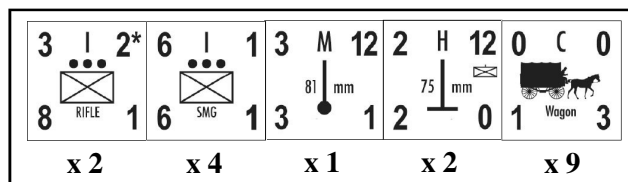
277th
Volks-
Pioneer
Battalion



277th
Volks-
Flak
Battalion



277th
Fusilier
Battalion



The 277th Volksgrenadier Division was tasked with capturing the twin villages of Rocherath and Krinkelt and then opening up the road beyond for the 1st SS Panzer. The 277th finally captured the vil- lages after much difficulty and only after being reinforced by the 3rd Panzergrenadier Division. Unable to proceed any further, the exhausted and depleted division spent the rest of the battle on the defensive.