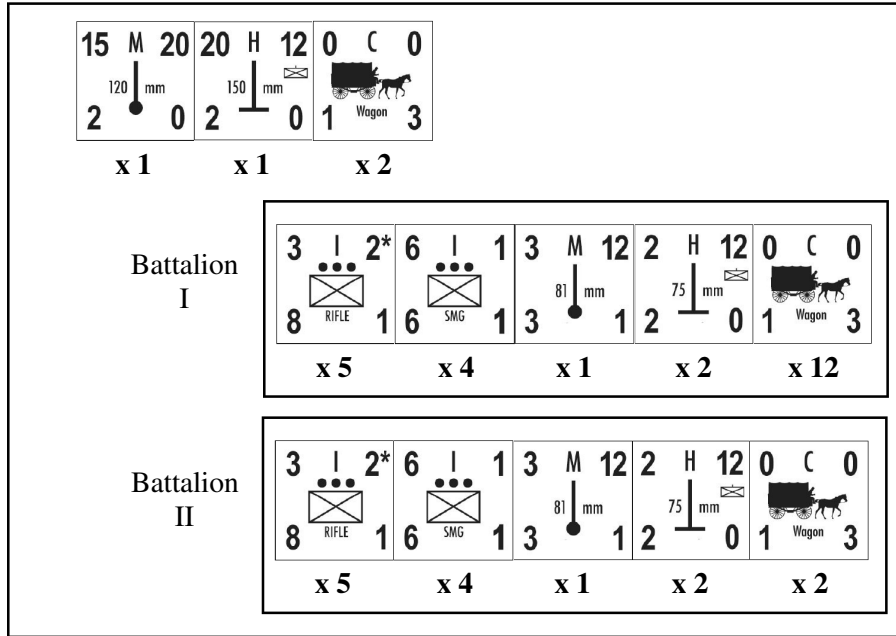




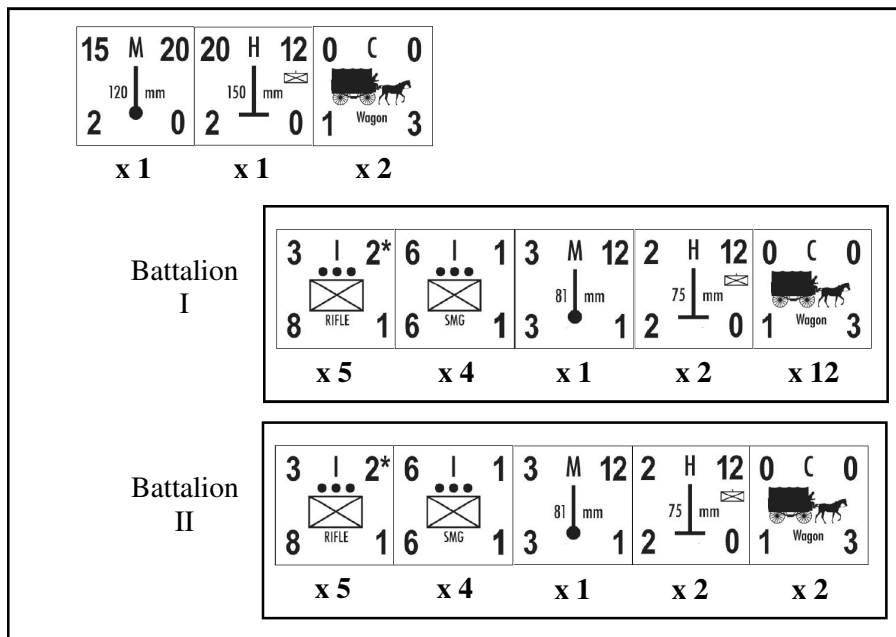
German 276th Volksgrenadier Div.

December, 1944

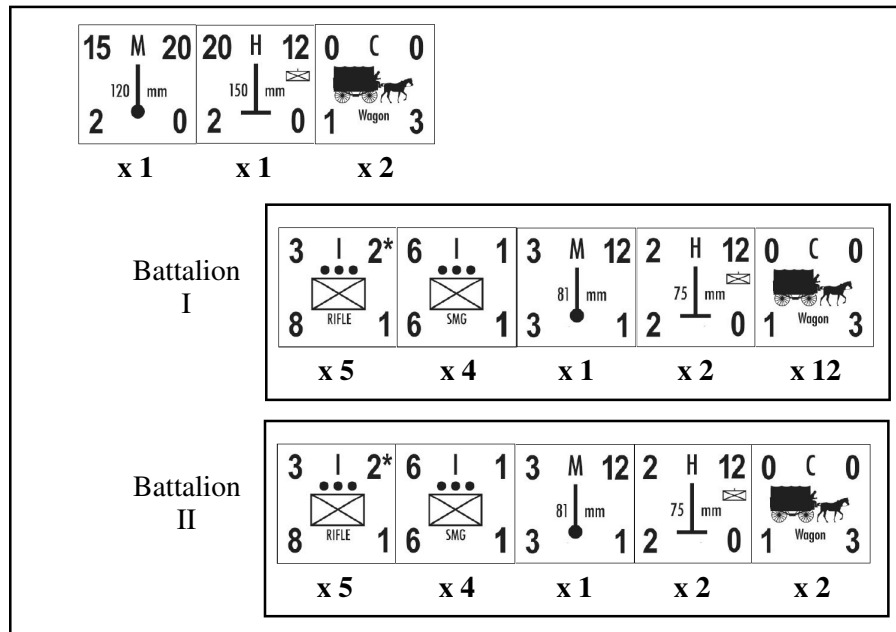
986th Volksgrenadier Regiment



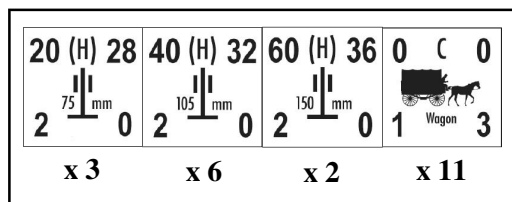
987th Volksgrenadier Regiment



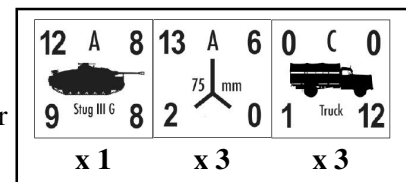
988th
Volks-
grenadier
Regiment



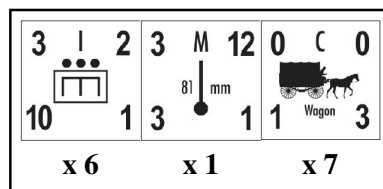
276th
Volks-
Artillerie
Regiment



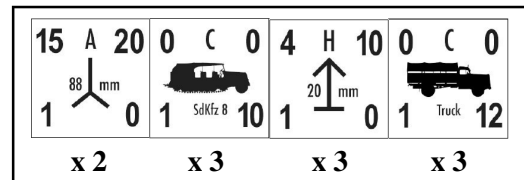
276th
Volks-
PanzerJager
Battalion



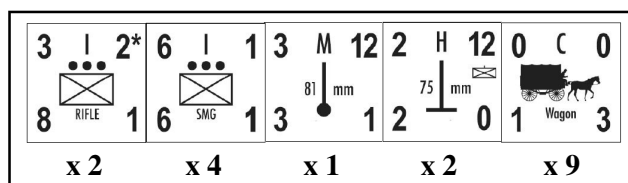
276th
Volks-
Pioneer
Battalion



276th
Volks-
Flak
Battalion



276th
Fusilier
Battalion



The 276th Volksgrenadiers were considered to be in poor shape before the battle so they were given only limited objectives. The division fought hard, as did most of the Volksgrenadiers, and made some progress but in the end the division was worn down and forced to retreat.