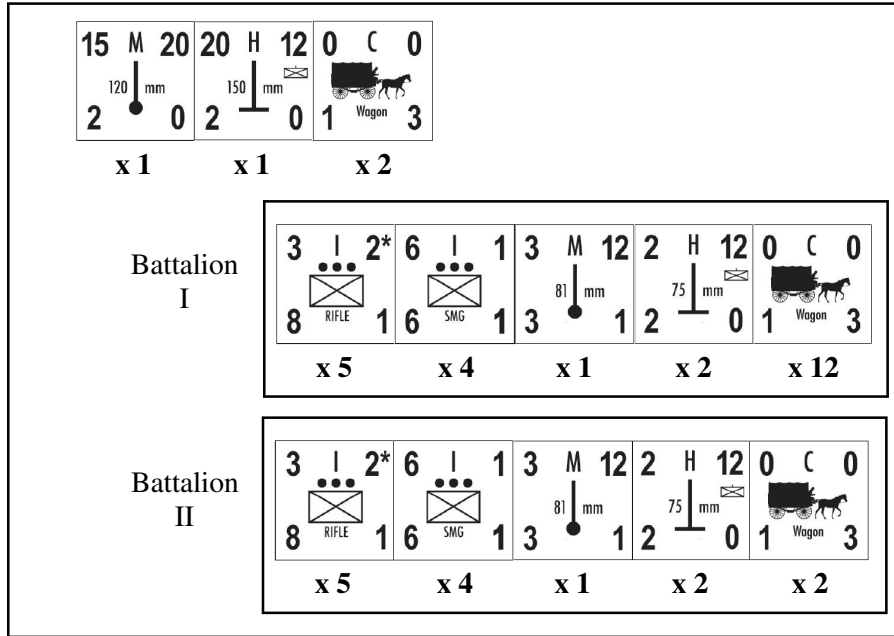




German 212th Volksgrenadier Div.

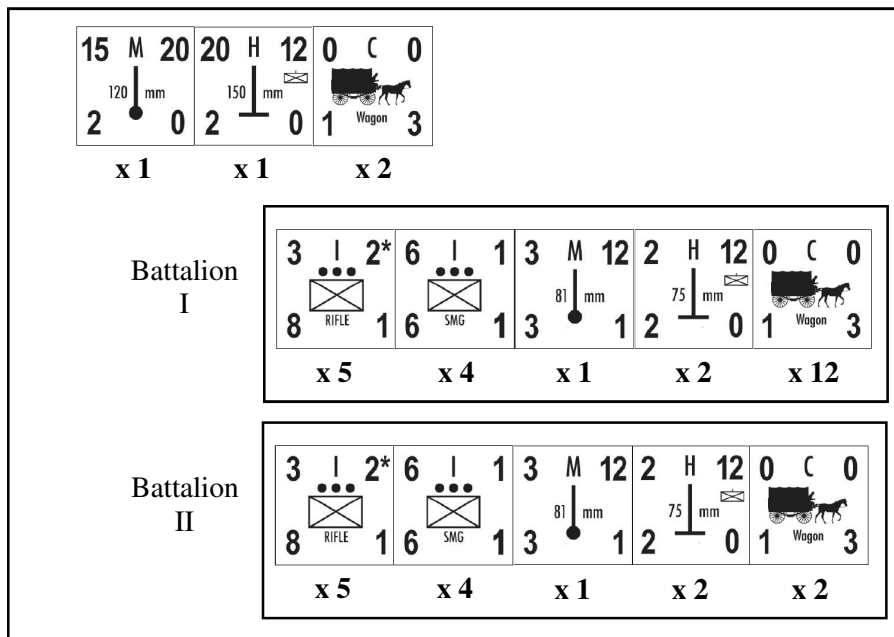
December, 1944

316th Volksgrenadier Regiment

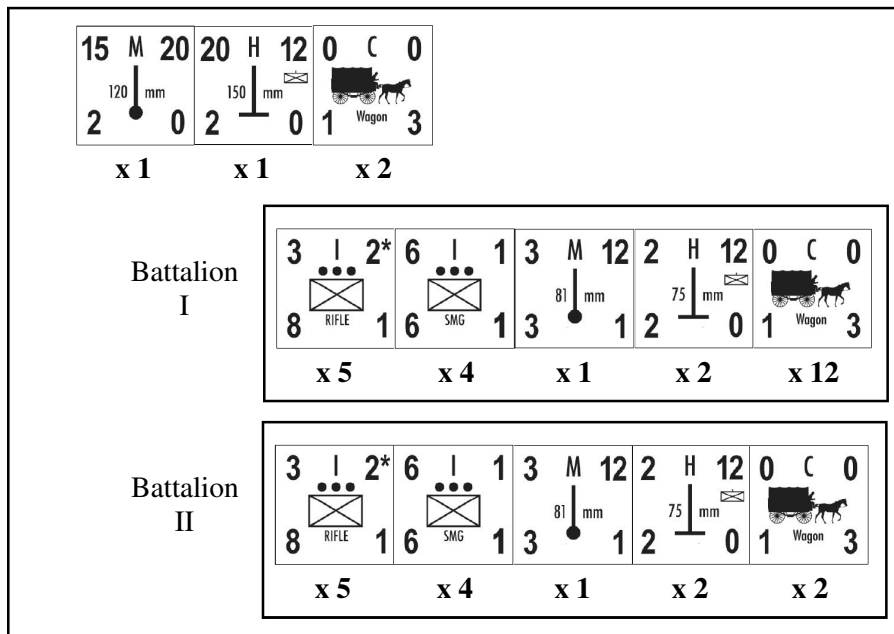


Th3 316th regiment was withheld in Armeec Reserve for most of the battle and was unavailable.

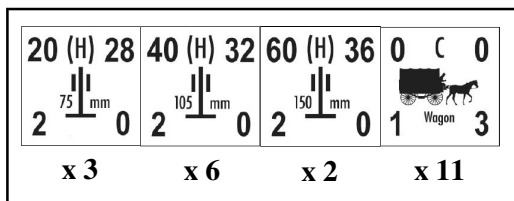
320th Volksgrenadier Regiment



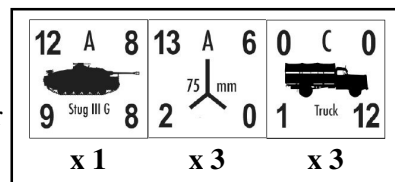
423rd
Volks-
grenadier
Regiment



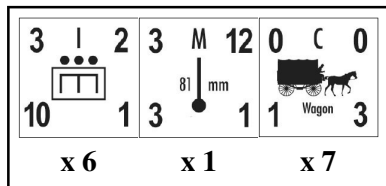
212th
Volks-
Artillerie
Regiment



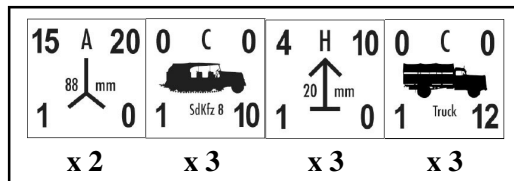
212th
Volks-
PanzerJager
Battalion



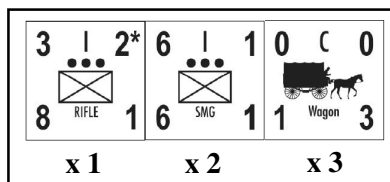
212th
Volks-
Pioneer
Battalion



212th
Volks-
Flak
Battalion



212th
Fusilier
Battalion
(-)



At the start of the campaign, the 212th Volksgrenadier Division was considered to be the best division in Seventh Army. It was ordered to advance through very difficult terrain to take out U.S. 4th Infantry artillery positions and, if possible, to threaten 12th Army Group's headquarters. The division made some initial progress against the Americans in its surprise attack but was fought to a standstill by the 4th Infantry and CCA of the 10th Armored before being forced to retreat by Patton's counterattack.